

FLO_ROLL GROOVED REDUCING COUPLING

FEATURES

- Reduces pipe size within the flexible coupling
- Galvanised finish only
- Correct coupling and gasket selection is important to ensure correct pipeline performance. If in doubt, please contact our office.
- **UL Listed & FM Approved**

TECHNICAL DATA

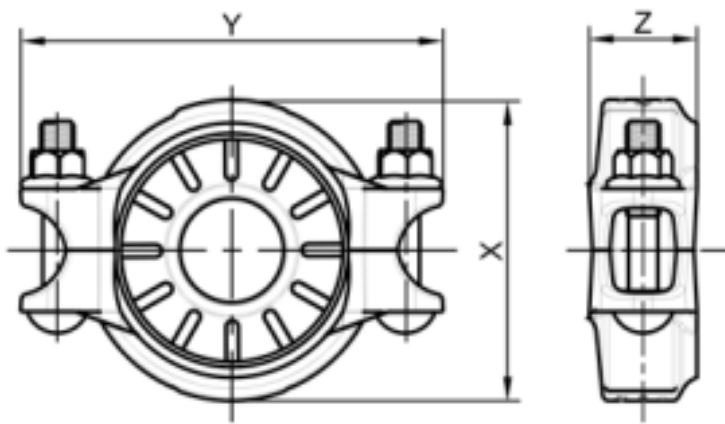
- Code: FWG-COU-(size OD)-(size OD)
- Size Range: DN50 – 200
- Working Pressure: 300psi, 2100 kPa



Model # RF1

DIMENSIONS

DN SIZE	Bolt Size	X	Y	Z	Wt (kg)
50 x 40	M10x50	82	125	46	0.9
65 x 50	M12x75	98	145	46	1.1
80 x 50	M12x75	114	160	49	1.5
80 x 65	M12x75	114	160	49	1.7
100 x 50	M16x85	142	200	51	2.4
100 x 65	M16x85	142	200	51	2.6
100 x 80	M16x85	142	200	51	2.6
150 x 100	M20x115	197	269	51	4.5
200 x 150	M22x135	261	345	61	8.6



Please refer manufacturer's installation guideline which can be found on our website or ask our team!