

## TWIN HEAD HYDRANT RISER

### FEATURES

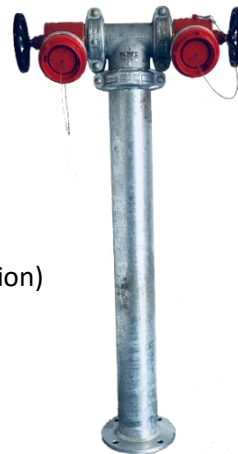
- DN100 Galv. Pipe Size
- Bull Head Tee 100 x 80 x 80
- Two Hydrant Valves (Nominate Fire Brigade Connection)
- Table D or Table E Flanged Base as standard
- Height as nominated
- Steel or Stainless Steel

### OPTIONS

- Storz Adaptors & Caps
- Brass or Plastic Hydrant Valve Caps
- Tapped Bullhead Tee for Pressure Gauge (Gauge sold separately)
- Painted Red
- Size DN150
- Other connections to the main– Flange, CU/RG Adaptor or Roll Groove
- Other Sizes (Tapped, 35 Deg Offset Style; Rear or Bottom, BI Angle Style, Extra Check Valve)

### TECHNICAL DATA

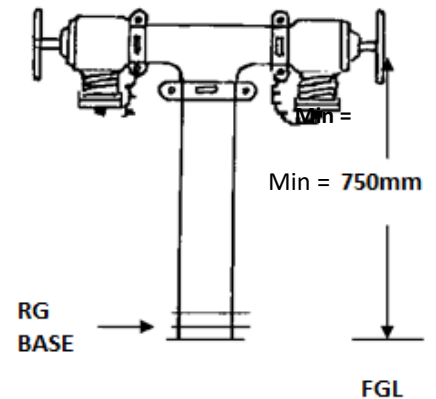
- Code: FFS-THHR- Size (DN100 Or 150) -(Fire Brigade Connection Storz)
- Height: Requirement to AUS Standard AS2419  
Min. Height Above FGL: 750mm  
Max. Height Above FGL: 1200mm  
Stock Height = 1300mm (other lengths available)



Standard



Tapped



Vertical



35 Degree Offset  
Bottom Entry



35 Degree Offset  
Rear Entry



Stainless Steel



C/W Check Valve