

FLO ROLL GROOVED x THREADED CONCENTRIC REDUCER

(Roll Grooved x Threaded BSPF)

FEATURES

- Hot Dipped Galvanised Finish
- UL & FM Approved
- Grade 65-45-12 ASTM A536 Ductile Iron

OPTIONS

- **Also Available Grooved x Grooved Concentric Reducer**

TECHNICAL

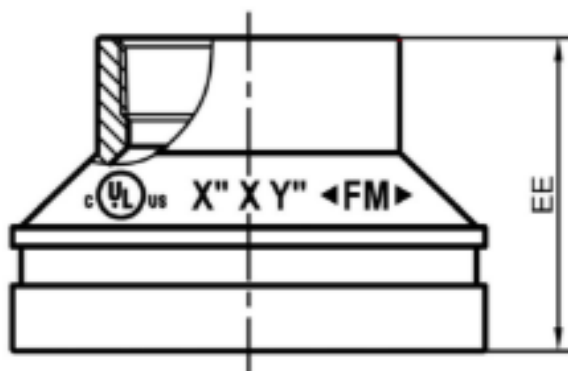
- Code: FWG-50-(size OD)-(size OD)-F
- Size Range: DN32 - 150
- Approved Working Press.: 300 psi

DIMENSIONS



FLO Model # CR2

Code	Size DN	Concentric E to E	Weight (Kg)
FWG-50-43-34-F	32X25	64	0.36
FWG-50-48-34-F	40X25	64	0.38
FWG-50-60-34-F	50x25	64	0.45
FWG-50-60-43-F	50x32	64	0.52
FWG-50-60-48F-F	50x40	64	0.52
FWG-50-76-34-F	65x25	64	0.55
FWG-50-76-60-F	65x50	64	0.70
FWG-50-88-34-F	80x25	64	0.75
FWG-50-88-60-F	80x50	64	0.80
FWG-50-114-60-F	100x50	76	1.3
FWG-50-114-76-F	100x65	76	1.4
FWG-50-165-76-F	150x65	102	2.10



Correct pipe grade, coupling & gasket selection is important to ensure correct pipeline performance. If in doubt please contact our office.